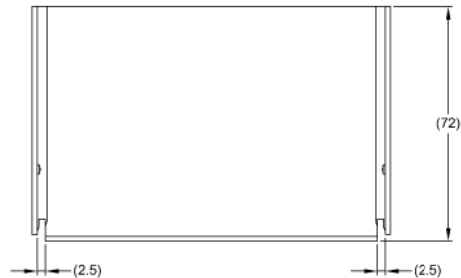
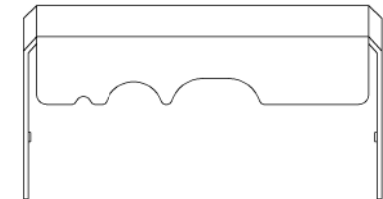
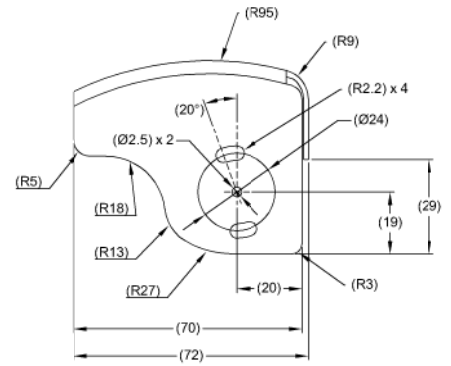
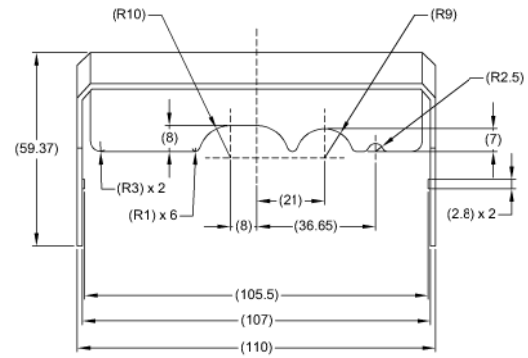
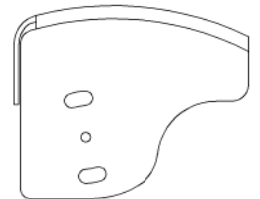
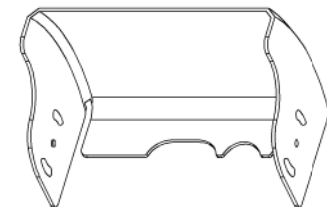


Revision Notes.				
R1 -				
APA: -	Drawn:-	Checked:-	Approved:-	Date: --/--/----



- NOTES:**
1. MATERIAL: 1.5MM STEEL
  2. FINISH: PAINTED BLACK.
  3. FOR PRODUCT LABEL AND PACKAGING DETAIL REFER TO MASTER BOM.

**PROPRIETARY NOTICE**  
 THIS DESIGN AND TECHNICAL INFORMATION APPEARING ON THIS DRAWING IS THE PROPERTY OF BRIGADE ELECTRONICS, AND IS DISCLOSED IN CONFIDENCE. IT IS NOT TO BE COPIED, REPRODUCED, REVEALED TO OR EXPROPRIATED BY OTHERS, EITHER IN WHOLE OR IN PART WITHOUT THE EXPRESS WRITTEN CONSENT OF BRIGADE ELECTRONICS.

**BRIGADE®**  
 www.brigade-electronics.com

Assembly PI Approval W.WU (12/05/2020)	Approved by S.LAVER	Checked by S.GOVENDER	Drawn by J.STEWART
Angle of Projection 	Units mm	Scale N/A	Released 26/05/20
	Status RELEASED	Assembly Ref VBV-71XC-SS	
	Part No 3657A	BE-004361-00-20	